

TITLE :-

SEWER/DRAIN LINE LAYOUT PLAN SHOWING FOR G+5 STD. BUILDING

OWNER :-

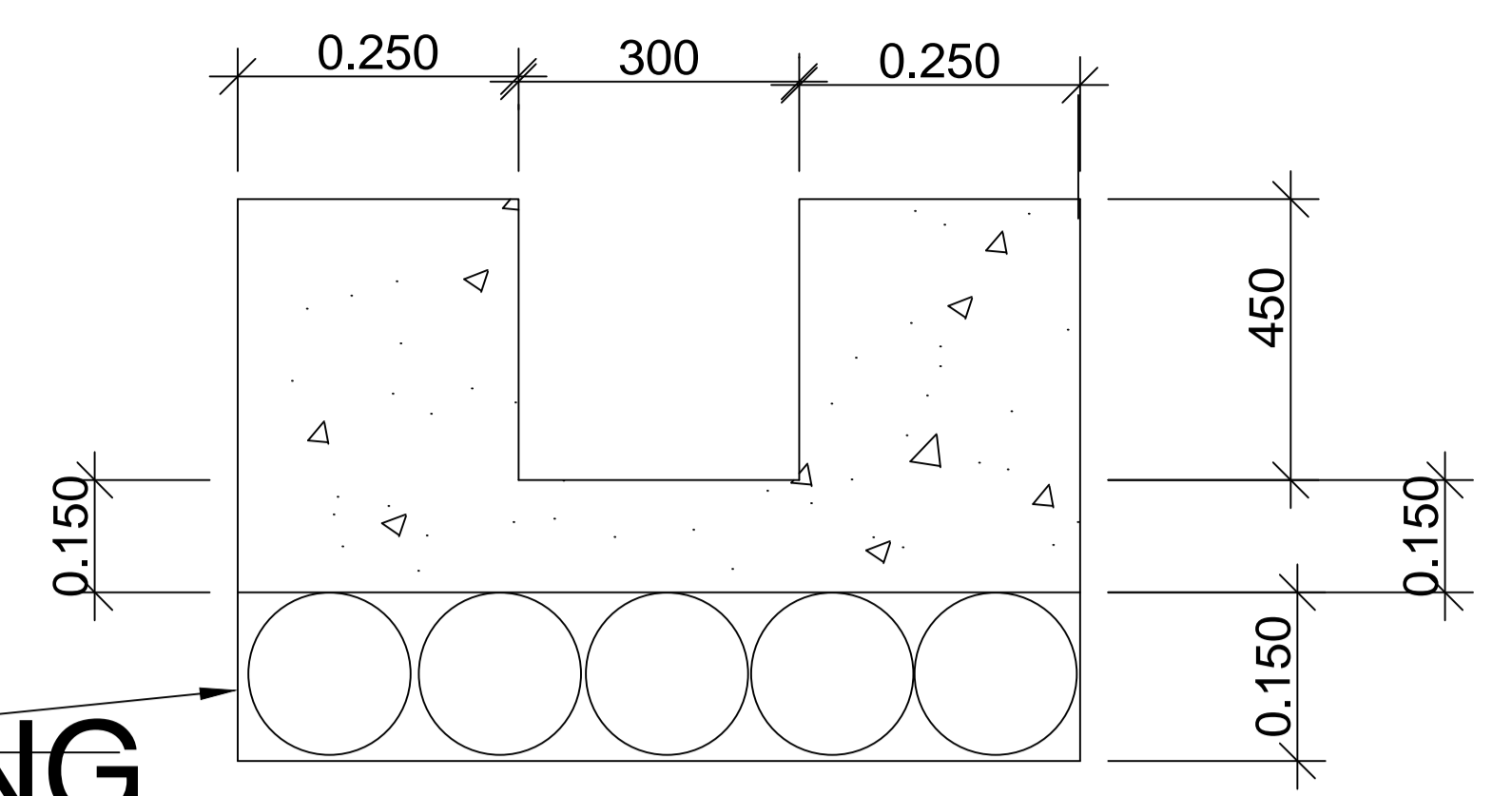
SRI , SARJU SHARMA , S/O LATE JAGDISH PRASAD SHARMA RESIDENCE OF SHASTRI NAGAR, WARD NO.-41(S.M.C.), P.O.- SEVOKE ROAD, P.S.- BHAKTINAGAR , DIST- JALPAIGURI, PIN-734001, WEST BENGAL.

LOCATION :-

SHASTRI NAGAR , WARD NO.-41(S.M.C)

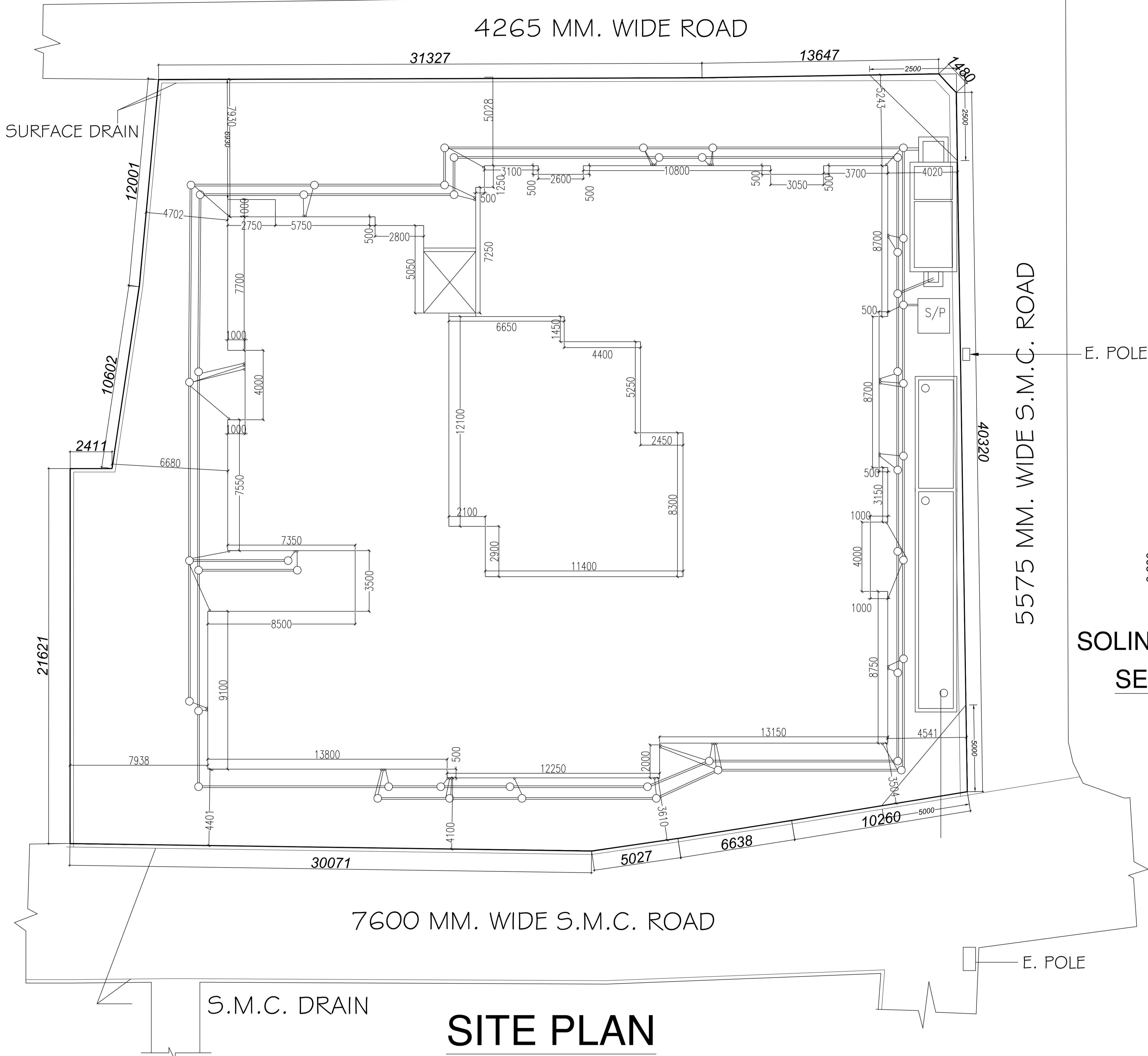
SCHEDULE OF LAND :-

MOUZA - DABGRAM,
L.R. PLOT NO. - 40 (P), 41
R.S PLOT NO.- 558, 559, 460
SHEET NO. 08 (R.S) . 40 (L.R)
L.R KHATIAN NO. - 160,162
R.S KHATIAN NO. - 319,320,150
J.L. No. - 2,
P,S. BHAKTINAGAR ,
DIST. - JALPAIGURI
WARD NO. - 41 (SMC)

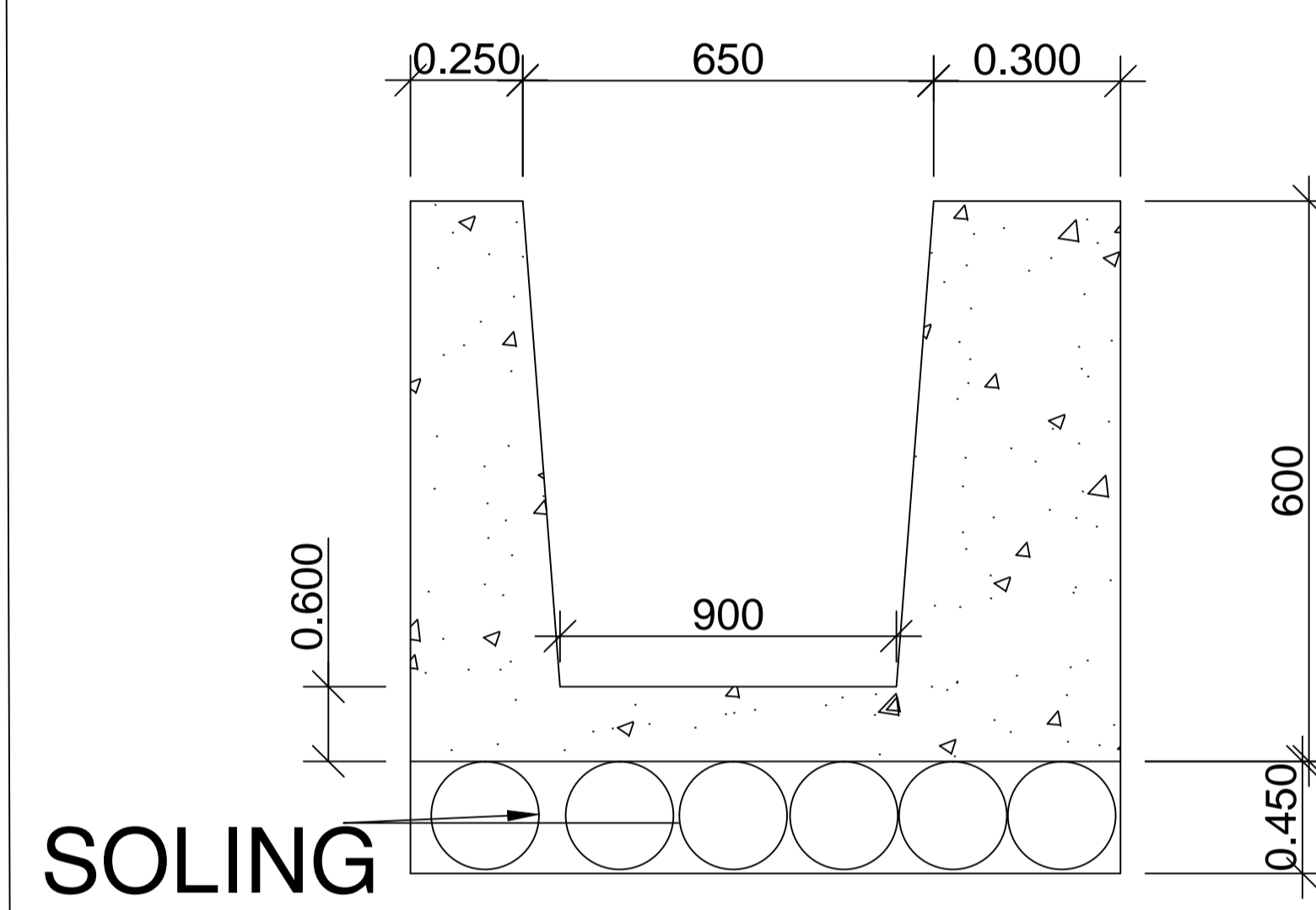


SOLING

PROPOSED SURFACE DRAIN



SITE PLAN



SOLING

SECTION OF HIGH DRAIN

WASTE WATER DISCHARGE CALCULATION

THIS IS TO STATE THAT THE WASTE WATER RECYCLING SYSTEM WILL NOT BE REQUIRED FOR THE FOLLOWING BUILDING AS THE TOTAL WASTE WATER DISCHARGE IS LESS THAN 40,000 LTRS. PER DAY. CONSIDERING DISCHARGE WATER = 5 (PERSONS) X 130 LTR.X 40 (TENEMENTS) = 26000 LTRS.

TREE COVER CALCULATION

PERMISSIBLE:

$$(2161.39 \times 5420.02 \times 15\%) / 6000 = 292.86 \text{ SQ.M. (13.55\%)}$$

PROPOSED:

- COVER AREA (1) : 154.19 SQ.M.
- COVER AREA (2) : 173.62 SQ.M.
- COVER AREA (3) : 10.97 SQ.M.
- TOTAL (15.67%) : 338.78 SQ.M.

